

Technical Bulletin

Bulletin Number: 254 Revision Number: R-23

Release Date: June 23, 1990 Revision Date: October 19, 1999

SUBJECT: LOCK COVERS FOR T-HANDLES

MODELS AFFECTED: ALL MODELS

REASON: To provide additional security for the T-Handle and lock cylinder.

LOCK COVER INDEX

| | |
|--|-----------------|
| A) All DN Models, DCB Models and DC Models | Page 2 |
| B) DNCB Models that have <u>NO PROTRUDING TRIM</u> around the control panel area..... | Page 3 |
| C) DNCB 7UP-B7 Models, DNCB 7UP-B7 VRV Models..... | Page 3 |
| D) DNCB Models with <u>PROTRUDING TRIM</u> around the control panel..... | Page 4 |
| E) DNCB Pepsi Magnum Circular and Magnum (flat) Models serialized prior to 3101AN,..... but including 3102AN. | Page 5 |
| F) DNCB Dr. Pepper Century II Models with <u>PROTRUDING TRIM</u> and DNCB 180 Dr. Pepper D3 Models (Non VRV) | Page 6 |
| G) DNCB Coca-Cola Landscape Models. (Non VRV) | Pages 7, 8, & 9 |
| H) DNCB Dr. Pepper D3 and Can Display Models with T-Handle in the coin insert (Non VRV)..... | Page 10 |
| I) DNCB Pepsi Redesigned Magnum Circular Models serialized 3101AN and higher, except 3102AN; Generic Round; RC (Royal Crown) Round, Cold Drink Deluxe Illuminated Models with the T-Handle in the coin insert; Very Fine Circular Models, and Cold Drink FLS NON VRV | Pages 11 & 12 |
| J) DNCB Coca-Cola VRV Landscape Models DNCB RC and VeryFine (Circular Inverted "L") Wide Models..... | Pages 13 & 14 |
| K) DNCB Pepsi VRV Models, DNCB Dr. Pepper VRV D3 Models DNCB VRV FLS and Dual Display..... | Pages 15 & 16 |
| L) DNCB Pepsi TBV Models serialized xxxx-4014 and higher..... | Page 17 |
| M) DNCB Dr. Pepper V4 Models with 2-point lock doors. | Pages 18 & 19 |
| N) DNCB Coca-Cola Marketing Machine Models serialized 0001-6501BW and higher | Page 20 |

DN, DCB & DC MODELS

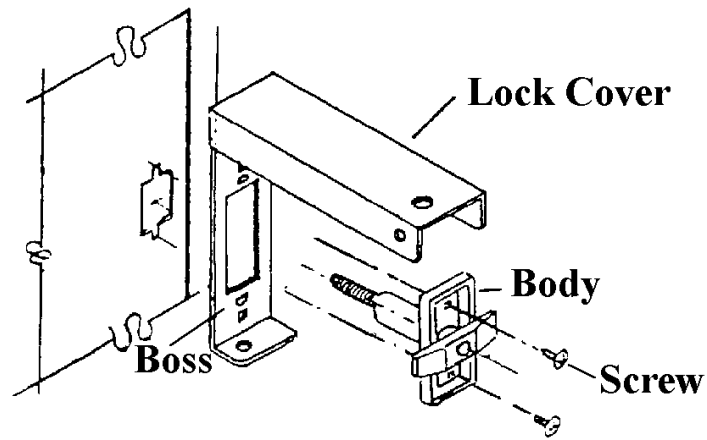


FIGURE 1

ORDER: 169,012,500.04 DN, DCB & DC Lock Cover Kit

Kit Contents:

| | |
|--------------------|---------------------|
| 1 - 169,011,600.13 | W/A Lock Cover |
| 2 - 900,901,510.11 | Screw, 10-32 x 5/8" |

Installation instructions:

1. Remove the T-Handle assembly from the vender.
2. Position the body of the T-Handle assembly between the bosses of the lock cover.
3. Place lock cover and T-Handle assembly in position on vender and secure with two screws (900,901,510.11).

**DNCB 7UP-B7 VRV,
DNCB 7UP - B7 & DNCB MODELS
WITH NO PROTRUDING TRIM AROUND CONTROL PA NEL**

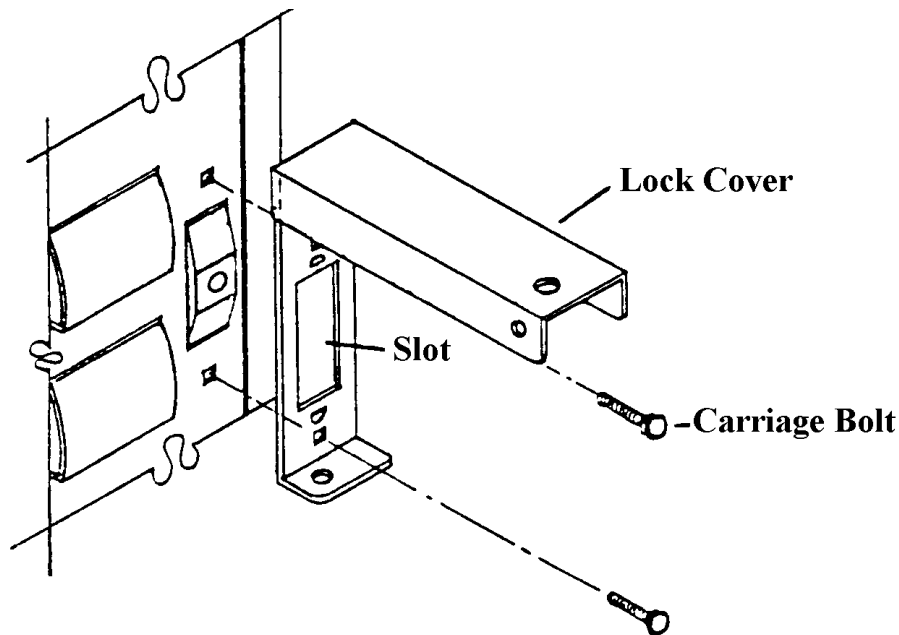


FIGURE 2

ORDER: 169,011,700.24 B7 & DNCB Lock Cover Kit

Kit Contents:

| | |
|--------------------|------------------------------|
| 1 - 169,011,600.23 | W/A Lock Cover |
| 2 - 900,800,670.01 | Keys Nut, 1/4-20 |
| 2 - 900,201,450.01 | Carriage Bolt, 1/4-20 x 1/2" |

Installation instructions:

1. Remove the carriage bolts and nuts securing the T-Handle assembly to the vender.
2. Position the lock cover over the T-Handle.
3. Install the carriage bolts, (900,201,450.01) provided in the kit, through the lock cover and T-Handle.
4. Secure in place with keps nuts (900,800,670.01) provided.
5. Ensure the T-Handle "Pops Out" freely. If not, loosen the keps nuts and adjust the lock cover and/or T-Handle.

DNCB MODELS WITH PROTRUDING TRIM AROUND CONTROL PANEL

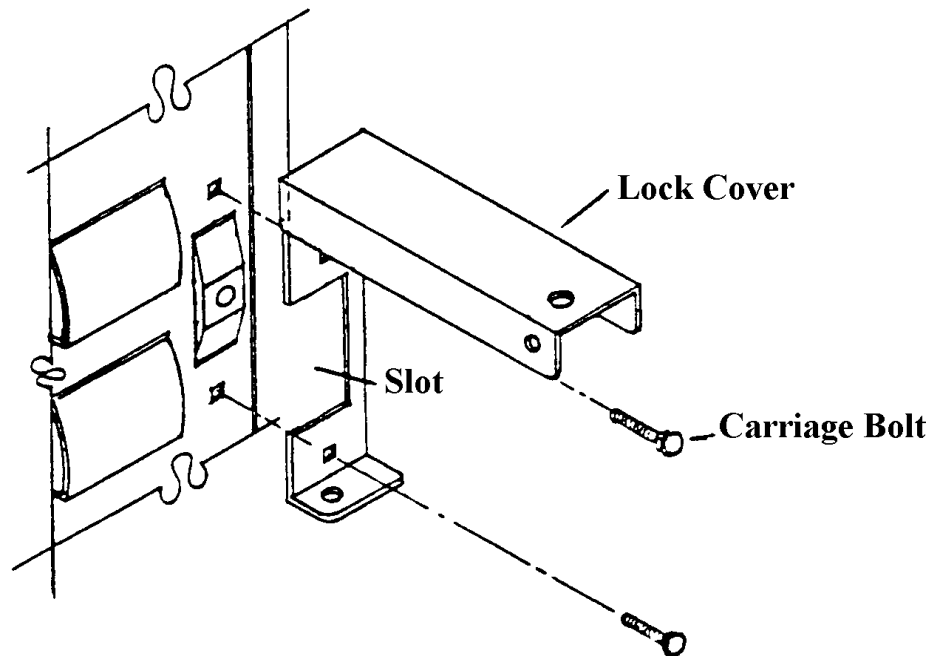


FIGURE 3

ORDER: 269,010,200.14 DNCB Lock Cover Kit

Kit Contents:

| | |
|--------------------|------------------------------|
| 1 - 269,010,300.03 | W/A Lock Cover |
| 2 - 900,800,670.01 | Keps Nut, 1/4-20 |
| 2 - 900,201,450.01 | Carriage Bolt, 1/4-20 x 1/2" |

Installation instructions:

1. Remove the carriage bolts and nuts securing the T-Handle assembly to the vender.
2. Position the lock cover over the T-Handle. Note the position of the slot in the lock cover in figure 3 above.
3. Install the carriage bolts, (900,201,450.01) provided in the kit, through the lock cover and T-Handle.
4. Secure in place with keps nuts (900,800,670.01) provided.
5. Ensure the T-Handle "Pops Out" freely. If not, loosen the keps nuts and adjust the lock cover and/or T-Handle.

**DNCB PEPSI MAGNUM CIRCULAR & MAGNUM (FLAT)
PRIOR TO 3101AN, BUT INCLUDES 3102AN**

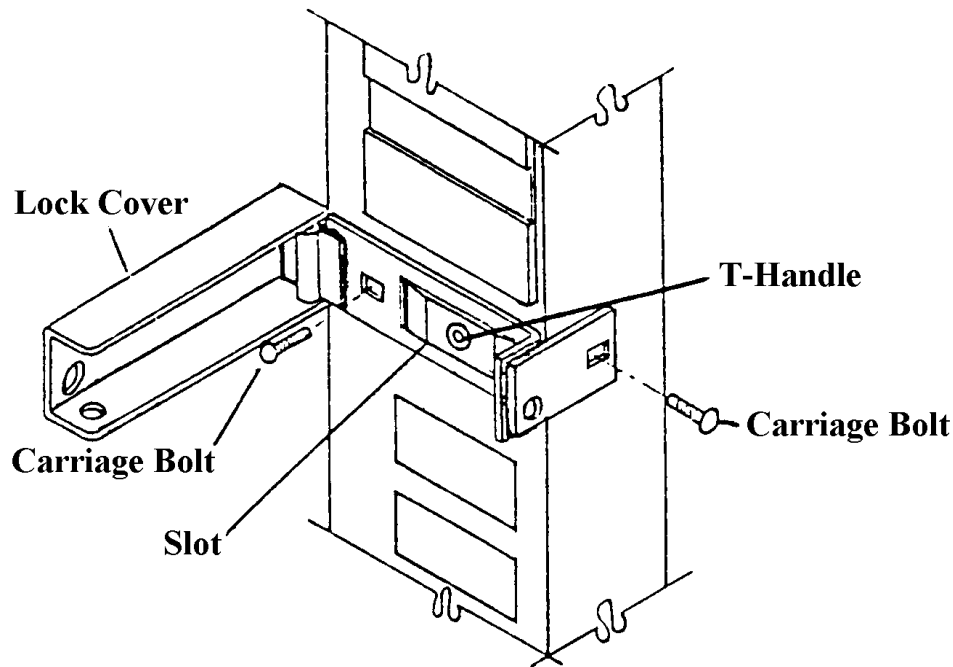


FIGURE 4

ORDER: 399,010,200.14 Magnum Circular/Magnum Lock Cover Kit

Kit Contents:

| | |
|--------------------|----------------------------|
| 1 - 399,010,100.03 | W/A Lock Cover |
| 2 - 900,201,170.01 | Carriage Bolt, 1/4-20 x 1" |
| 2 - 900,800,670.01 | Keps Nut, 1/4-20 |

Installation instructions:

1. Remove the carriage bolts and nuts securing the T-Handle assembly to the vender.
2. Position the lock cover over the T-Handle.
3. Install the carriage bolts, (900,201,170.01) provided in the kit, through the lock cover and T-Handle.
4. Secure in place with Keps nuts (900,800,670.01) provided.
5. Ensure the T-Handle "Pops Out" freely. If not, loosen the keps nuts and adjust the lock cover and/or T-Handle.

**DNCB DR. PEPPER CENTURY II MODELS
DNCB 180 NON VRV DR. PEPPER D3 MODELS**

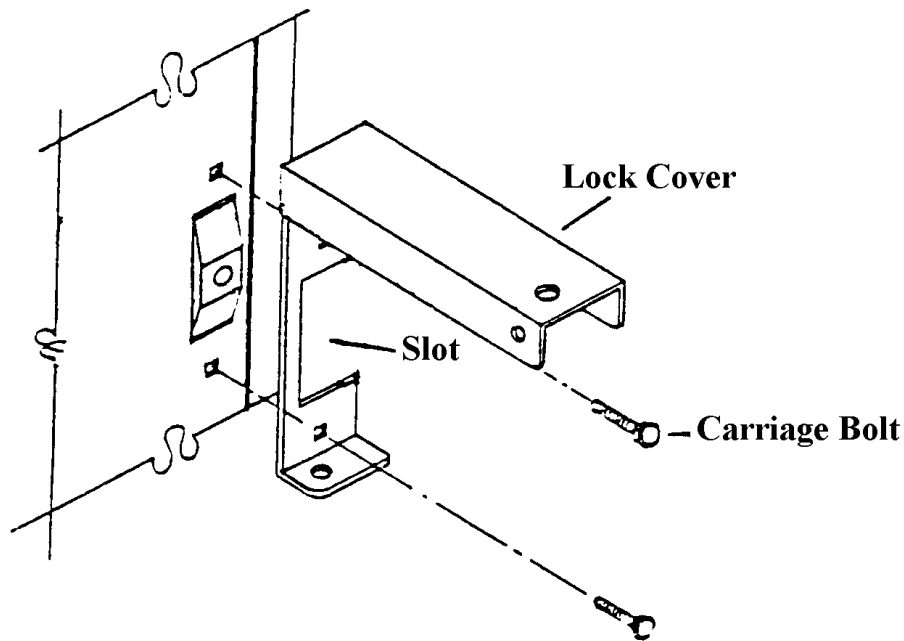


FIGURE 5

ORDER: 383,010,200.14 Dr. Pepper Century II Lock Cover Kit

Kit Contents:

| | |
|--------------------|----------------------------|
| 1 - 383,010,100.03 | W/A Lock Cover |
| 2 - 900,201,170.01 | Carriage Bolt, 1/4-20 x 1" |
| 2 - 900,800,670.01 | Keys Nut, 1/4-20 |

Installation instructions:

1. Remove the carriage bolts and nuts securing the T-Handle assembly to the vender.
2. Position the lock cover over the T-Handle. Note the position of the slot in the lock cover in figure 5 above.
3. Install the carriage bolts, (900,201,170.01) provided in the kit, through the lock cover and T-Handle.
4. Secure in place with the keys nuts (900,800,670.01) provided.
5. Ensure the T-Handle "Pops Out" freely. If not, loosen the keys nuts and adjust the lock cover and/or T-Handle.

DNCB NON VRV COCA -COLA LANDSCAPE MODELS

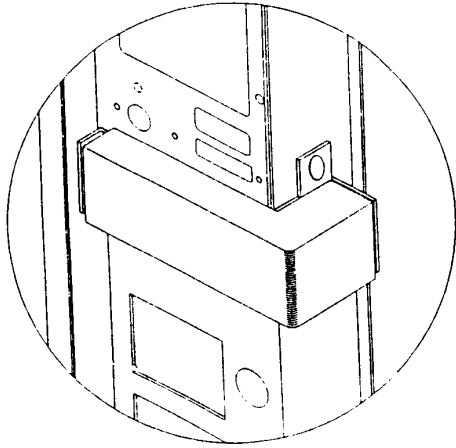


FIGURE 10A

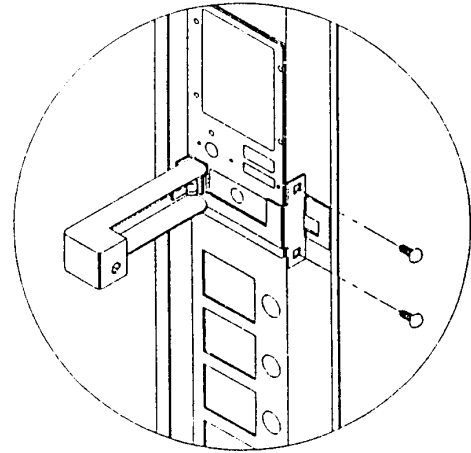


FIGURE 11A

ORDER: 572,010,100.34 Coca-Cola Landscape Lock Cover Kit

Kit Contents:

| | |
|--------------------|----------------------------|
| 1 - 572,010,000.03 | W/A Lock Cover |
| 4 - 900,800,670.01 | Keys Nut, 1/4-20 |
| 2 - 900,201,450.01 | Carriage Bolt, 1/4-20x1/2" |

Installation instruction:

1. Beginning serial number 0001-3036AM and higher have the lock cover mounting holes pre-punched in the vertical bulkhead.
2. For venders that the holes have not been pre-punched (prior to 0001-3036AM), locate and drill holes per the instruction on page 9 before continuing.
3. Beginning serial number 0001-3149DN and higher have the lock cover mounting hole in the right side of the door pre-punched.
4. For venders that the hole has not been pre-punched, (prior to 0001-3149DN), locate and drill the hole per instructions on page 8 before continuing.
5. Remove the carriage bolts and nuts or plastic plugs from all holes used in mounting the lock cover.
6. Open the lock cover as shown in figure 11A above.
7. Place lock cover in position so the two (2) threaded studs, on the left of the cover, insert in the holes in the vertical bulkhead.

8. Install two (2) keps nuts to hold lock cover in position. Do not tighten at this time.

9. Insert the carriage bolt through the hole in the right side of the lock cover and through the right side of the door.
10. Install a 3/8 washer (900,700,080.01 - not included in kit) and keps nut and secure.
11. Ensure the T-Handle "Pops Out" freely. If not, loosen keps nuts and adjust lock cover.
12. Tighten keps nuts and retest to ensure T-handle "Pops Out" freely.

RIGHT SIDE LOCK COVER MOUNTING HOLE LOCATOR INSTRUCTIONS

1. Unplug the vender.
2. For venders that the hole has not been pre-punched, prior to 0001-3149DN, locate and drill the hole as follows.
3. Use the lock cover as a template.
4. Place the lock cover in position so the threaded studs on its left side are in the mounting holes in the vertical bulkhead.
5. Mark the hole location on the main door.
6. Remove the lock cover.
7. Drill a 5/16" hole in the location marked.
8. Be sure to clean all metal filings from the vender after drilling.

VERTICAL BULKHEAD HOLE LOCATOR INSTRUCTIONS

1. Unplug the vender.
2. For venders that the holes have not been pre-punched (prior to 0001-3036AM), locate and drill holes as follows.
3. For 79" High Venders:
 - a. From the bottom of the main door, measure up $45 \frac{11}{16}$ " and scribe a horizontal line.
 - b. From the bottom of the main door, measure up $44 \frac{11}{16}$ " and scribe a second horizontal line.
 - c. From the front of the main door, measure in 1" and scribe a vertical line through the two horizontal lines.
4. For 72" High Venders:
 - a. From the bottom of the main door, measure up $41 \frac{15}{16}$ " and scribe a horizontal line.
 - b. From the bottom of the main door, measure up $40 \frac{15}{16}$ " and scribe a second horizontal line.
 - c. From the front of the main door, measure in 1" and scribe a vertical line through the two horizontal lines.
5. For 66" High Venders:
 - a. From the bottom of the main door, measure up $39 \frac{3}{32}$ " and scribe a horizontal line.
 - b. From the bottom of the main door, measure up $38 \frac{3}{32}$ " and scribe a second horizontal line.
 - c. From the front of the main door, measure in 1" and scribe a vertical line through the two horizontal lines.
6. For 56" High Venders:
 - a. From the bottom of the main door, measure up $34 \frac{9}{32}$ " and scribe a horizontal line.
 - b. From the bottom of the main door, measure up $33 \frac{9}{32}$ " and scribe a second horizontal line.
 - c. From the front of the main door, measure in 1" and scribe a vertical line through the two horizontal lines.
7. Drill a $\frac{5}{16}$ " hole in the two locations where the horizontal and vertical lines intersect on the vertical bulkhead.
8. Be sure to clean all metal filings from the vender after drilling.

**DNCB NON VRV DR. PEPPER - D3 AND
NON VRV CAN DISPLAY MODELS
(Note: For DNCB 180 Dr. Pepper D3 See Page 6.)**

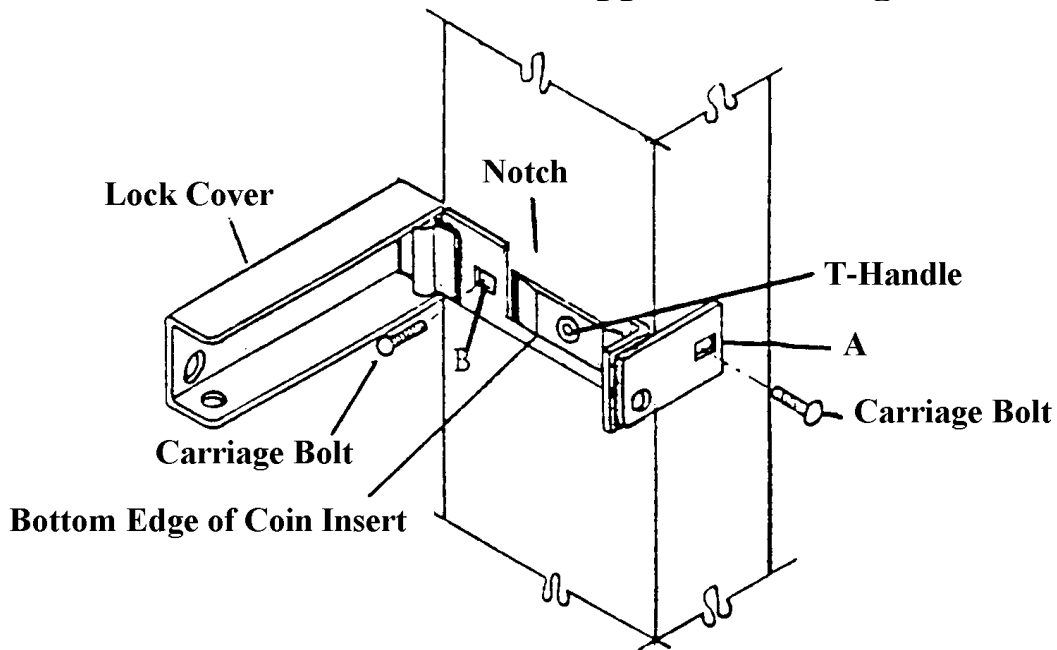


FIGURE 8

ORDER: 453,010,600.14

Dr. Pepper D3 & Can Display
Lock Cover Kit

Kit Contents:

| | |
|--------------------|----------------------------|
| 1 - 453,010,300.03 | W/A Lock Cover |
| 2 - 900,201,170.01 | Carriage Bolt, 1/4-20 x 1" |
| 2 - 900,800,670.01 | Keps Nut, 1/4-20 |

Installation instructions:

1. Open lock cover and place in position as shown in figure 8.
2. Push the lock cover as far left as it will go.
3. Using the lock cover as a template, mark the hole locations on the main door.
4. Remove the lock cover.
5. Drill two (2) 5/16" holes in the locations marked in step 3.
6. Be sure to clean all metal filings from the venter after drilling.
7. Place the lock cover in position.
8. Install the carriage bolts, (900,201,170.01) provided in the kit, through the lock cover.
9. Secure in place with the keps nuts (900,800,670.01) provided.
10. Ensure the T-Handle "Pops Out" freely. If not, loosen keps nuts and adjust lock cover.

DNCB PEPSI REDESIGNED MAGNUM CIRCULAR SERIALIZED 3101AN AND UP EXCEPT 3102AN, GENERIC ROUND, RC ROUND, COLD DRINK DELUXE ILLUMINATED WITH T-HANDLE IN COIN INSERT, VERY FINE CIRCULAR MODELS AND COLD DRINK FLS MODELS

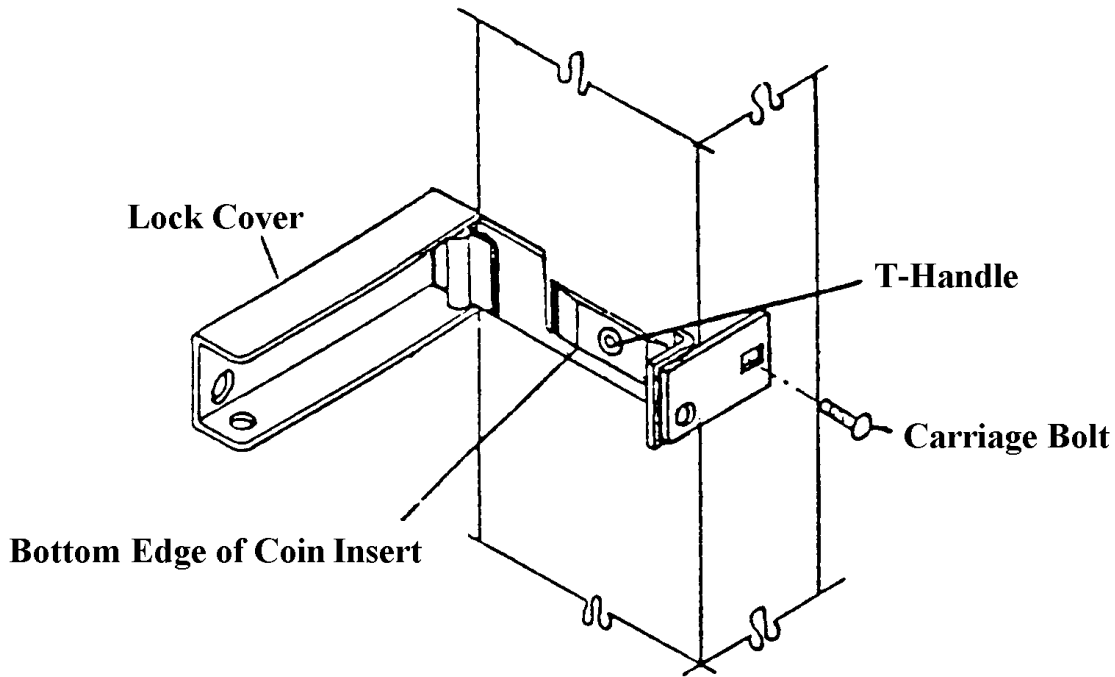


FIGURE 9

ORDER: 480,010,400.24

Redesigned Magnum Circular, Generic Round,
Very Fine Circular and Cold Drink with
T-Handle in coin insert Lock Cover kit.

Kit Contents:

- | | |
|--------------------|--------------------------------|
| 1 - 480,010,300.23 | W/A Lock Cover |
| 1 - 900,201,170.01 | Carriage Bolt, 1/4-20 x 1" |
| 2 - 900,800,670.01 | Keps Nut, 1/4-20 |
| 1 - 480,010,110.03 | Lock Cover Reinforcement Plate |

Installation instructions:

1. Beginning serial number 0001-3115BN and higher have the lock cover mounting holes pre-punched.
2. Use the lock cover as a guide to determine if a hole needs to be drilled to the left of the coin insert to allow the lock cover stud to pass through.
3. A) For venders that the holes have not been pre-punched, prior to 0001-3115BN, use the lock cover as a guide to mark the location to the left of the coin insert to drill a hole for the stud to pass through.

- B) For venders with pre-punched holes, remove the carriage bolts and nuts or plastic plugs from all holes used in mounting the lock cover and go to step 10.
4. Remove the lock cover.
 5. Drill a 5/16" hole in the location marked.
 6. Be sure to clean all metal filings from the vender after drilling.
 7. Place lock cover in position.
 8. A) For venders prior to 0001-3115BN use the lock cover as a template and mark the hole location on the main door.
B) For venders with pre-punched holes go to step 10.
 9. Drill a 5/16" hole in the location marked.
 10. Place the lock cover in position.
 11. Place the lock cover reinforcement plate in position.
 12. Secure with a keps nut (900,800,670.01) provided.
 13. Install the carriage bolt, (900,201,170.01) provided in the kit, through the lock cover.
 14. Secure in place with a keps nut (900,800,670.01) provided.
 15. Ensure the T-Handle "Pops Out" freely. If not, loosen the keps nuts and adjust the lock cover.

DNCB COCA-COLA VRV LANDSCAPE MODELS DNCB RC & VERYFINE "INVERTED L" VRV & NON-VRV MODELS

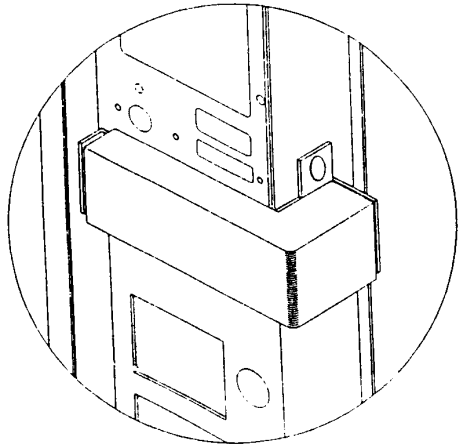


FIGURE 10A

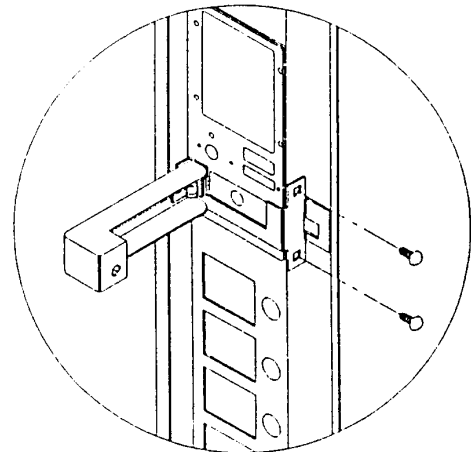


FIGURE 11A

ORDER: 572,010,100.34

Coca-Cola Landscape Lock Cover Kit VRV and Non-VRV
(RC and VeryFine "Inverted L" VRV and Non-VRV)

Kit Contents:

- 1 - 572,010,000.03
- 2 - 900,201,450.01
- 4 - 900,800,670.01

- Lock Cover W/A
- Carriage bolt, 1/4-20 x 1/2"
- Keps nut, 1/4-20

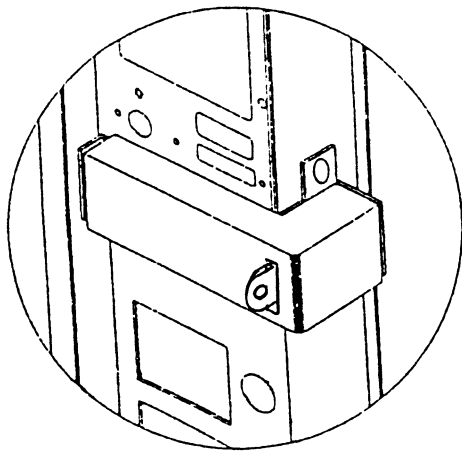


FIGURE 10B

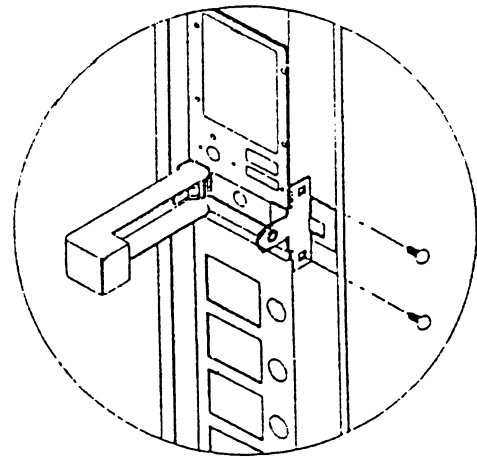


FIGURE 11B

ORDER: 572,012,100.14

Coca-Cola VRV Landscape Lock Cover Kit
(RC and VeryFine "Inverted L" VRV and Non-VRV)
For use with American Lock Company Series 2000 Lock

Kit Contents:

- 1 - 572,012,000.03
- 2 - 900,201,450.01
- 4 - 900,800,670.01

- VRV Lock Cover W/A - American Lock Series 2000
- Carriage bolt, 1/4-20 x 1/2"
- Keps nut, 1/4-20

Installation instructions:

1. Unplug the vender.
2. Remove the carriage bolt(s) and nut(s) or plastic plugs from all holes used in mounting the lock cover.
3. Note: To remove the lower carriage bolt and nut you will need a 7/16" socket and extension to access the nut. (A four inch (4") extension works best.)
4. On venders serialized 0001-6132BR and higher, go to step 6.
5. Important: If the hole for the top carriage bolt for the lock cover is not pre-punched (production runs prior to 6132), you will need to do the following:
 - a. Use the lock cover as a template.
 - b. Place the lock cover in position so the threaded studs on its left side are in the mounting holes in the vertical bulkhead.
 - c. Mark the top hole location on the main door.
 - d. Remove the lock cover.
 - e. Drill a 5/16" hole in the location marked.
 - f. Be sure to clean all metal filings from the vender after drilling.
6. Open the lock cover as shown in figure 11, page 13.
7. Place lock cover in position so the two (2) threaded studs, on the left end of the cover, insert in the holes in the vertical bulkhead.
8. Install two (2) keps nuts to hold the lock cover in position. Do not tighten at this time.
9. Insert the carriage bolts through the holes in the right side of the lock cover and through the right side of the door.
10. Install a keps nut on each carriage bolt and secure.
11. Ensure T-Handle "Pops Out" freely. If not, loosen keps nuts and adjust lock cover.
12. Tighten all four keps nuts and retest to ensure T-Handle "Pops Out" freely.
13. Plug in vender.
14. Test machine for proper operation.

**DNCB PEPSI VRV MODELS
DNCB DR. PEPPER D3 VRV MODELS
DNCB VRV DUAL DISPLAY AND FLS**

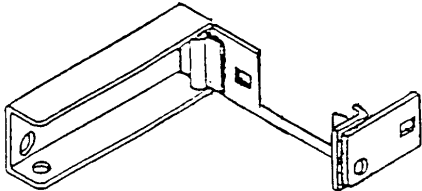


FIGURE 14A

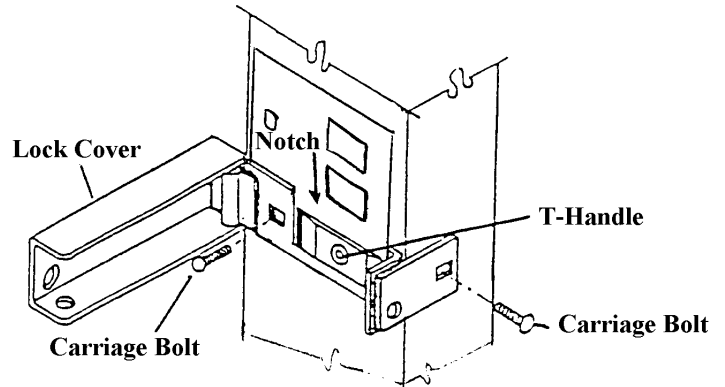


FIGURE 15A

ORDER: 480,011,200.14 Pepsi VRV Lock Cover Kit
Dr. Pepper VRV Lock Cover Kit

Kit Contents:

- | | |
|--------------------|-----------------------------|
| 1 - 592,051,800.13 | W/A Lock Cover, Pepsi VRV |
| 1 - 900,201,230.11 | Carriage Bolt, 1/4-20x1 1/4 |
| 1 - 803,841,780.01 | Decal, Coin Insert SII |
| 1 - 803,841,790.01 | Decal, Coin Insert Non SII |

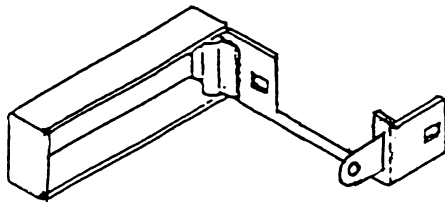


FIGURE 14B

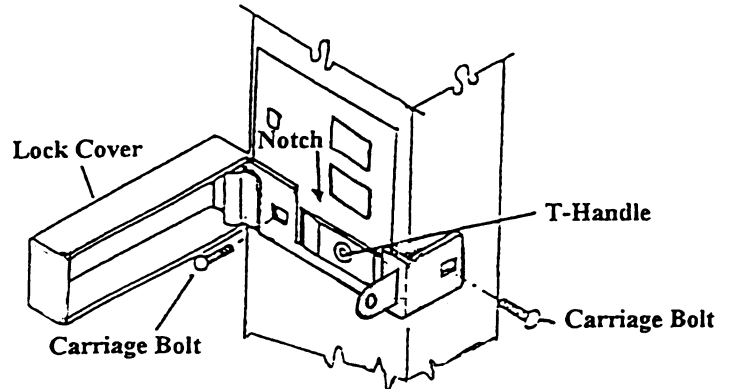


FIGURE 15B

ORDER: 592,010,200.04 Pepsi VRV Lock Cover Kit for use w/ American Lock Co. Series 2000 Lock
Dr. Pepper VRV Lock Cover Kit for use w/ American Lock Co. Series 2000 Lock

Kit Contents:

- | | |
|--------------------|---|
| 1 - 592,010,300.03 | W/A Lock Cover, Pepsi VRV - American Lock Series 2000 |
| 1 - 900,201,230.11 | Carriage Bolt, 1/4-20x1 1/4 |
| 1 - 803,841,780.01 | Decal, Coin Insert SII |
| 1 - 803,841,790.01 | Decal, Coin Insert Non SII |

Installation Instructions:

1. Unplug the vender.
2. Remove the existing coin insert decal.
3. Remove the carriage bolts and nuts from all holes used in mounting the lock cover. Do not discard the bolts and nuts.
4. Note: You may have to remove the coin chute and back to access ¼-20 keps nut on the side of the door. Also, you will need a 7/16" socket and extension to access the nut on the coin insert.
5. Install the new coin insert decal.
6. Open the lock cover and place in position.
7. On Dr. Pepper D3 VRV's built prior to serial number 0001-6250 (except production runs 6260 & 6262), use the lock cover as a template. Mark the mounting hole on the side of the door and remove the lock cover.
8. Drill a 5/16" hole in the location marked in step 7.
9. Install the carriage bolt on the side of the door and install a keps nut to hold the lock cover in position. Do not tighten at this time.
10. Install the 1¼" carriage bolt, provided in the kit, in the front hole of the lock cover through the lock cover and coin insert. Install the keps nut.
11. Align the lock cover so the T-handle "pops out" freely, and secure by tightening the two (2) keps nuts.
12. Install the coin chute and back if previously removed.
13. Be sure to clean all metal filings from the vender after drilling.
14. Plug in the vender.
15. Test the machine for proper operation.

DNCB PEPSI TBV MODELS

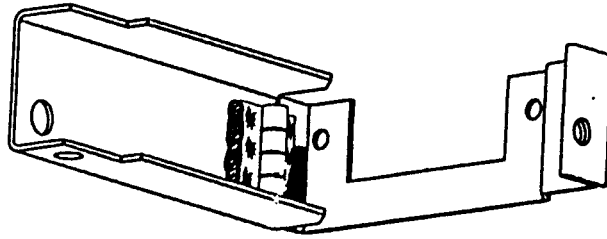


FIGURE 16

ORDER: 587,053,400.04 Pepsi TBV Lock Cover Kit

Kit Contents:

| | |
|--------------------|------------------------------------|
| 1 - 587,053,200.03 | TBV Lock Cover Assembly |
| 1 - 803,843,130.01 | TBV Coin Insert Decal - Lock Cover |
| 2 - 900,400,470.01 | Hex Head Bolt, ¼-20x1¼ |
| 2 - 900,800,670.01 | Keys Nut, ¼-20 |

Installation Instructions:

1. Unplug the vender.
2. Remove the coin insert trim by removing the six screws (3 each side) that secure it.
3. Remove the existing coin insert decal.
4. Unplug the door switch and remove the door strap.
5. Remove the coin chute cover and coin chute.
6. Remove the two ¼-20x¾ carriage bolts and ¼-20 keys nuts that secure the T-handle body to the coin insert plate.
7. Install the new coin insert decal.
8. Install the coin insert trim and secure with the six screws removed in step 2.
9. Open the TBV lock cover and place in position with the hinge to the left.
10. Install the two ¼-20x1¼ carriage bolts and ¼-20 keys nuts supplied in the kit. Do not tighten at this time.
11. Align the lock cover so the T-handle “pops out” freely, and secure by tightening the two keys nuts.
12. Install the coin chute and coin chute cover.
13. Install the door strap.
14. Plug in the vender.
15. Test for proper operation.

DNCB DR. PEPPER V4

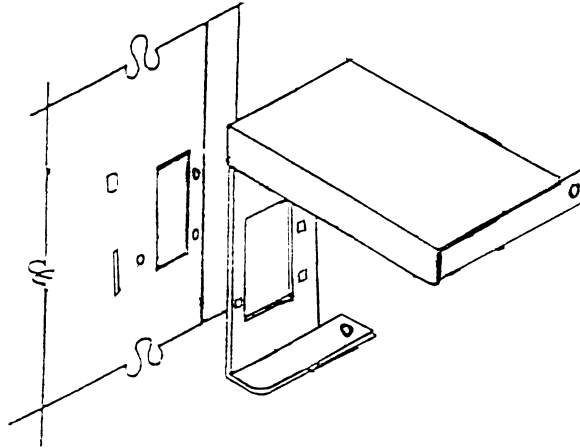


FIGURE 17

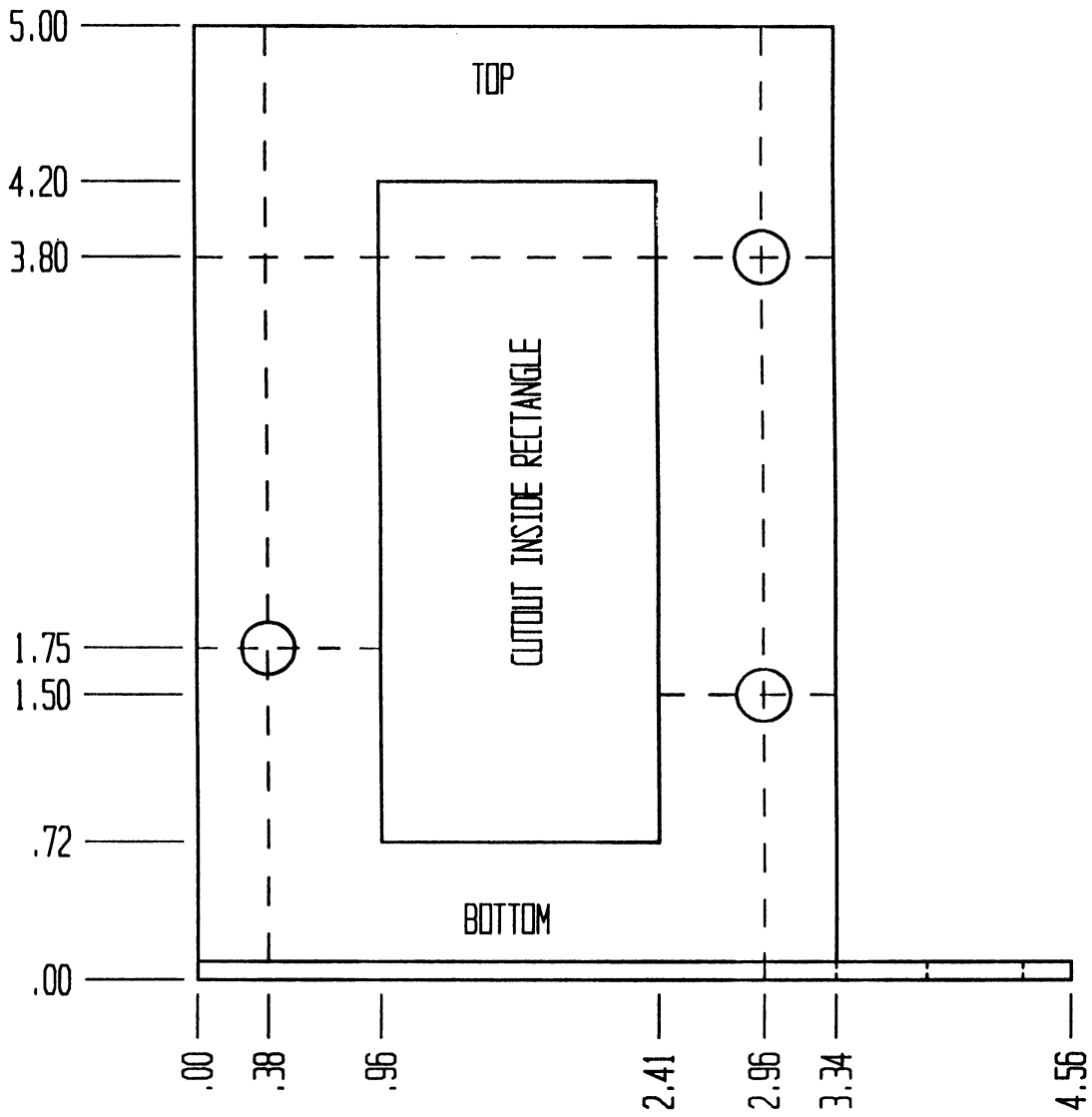
ORDER: 604,054,500.54 Dr. Pepper V4 Lock Cover Kit

Kit Contents:

- 1 - 604,054,600.13 Dr. Pepper V4 Lock Cover Assy.
- 3 - 900,800,670.01 Keps Nut, 1/4-20

Installation Instructions:

1. Unplug the vender.
2. A) On venders serialized 0001-6385 and higher, go to step 6b.
B) On venders serialized prior to 0001-6385, use template A11370.05 on page 19 to mark holes that need to be drilled for lock cover installation.
3. On the paper template, cut out the inside rectangle of the drawing.
4. Place paper template over the T-handle.
Important: Note the top and bottom of the template as noted on the drawing.
5. With a scribe or similar pointed object, mark the center of the three holes to be drilled.
6. A) Drill a 9/32" hole on the three locations marked in step 5. Be careful not to damage any wires when drilling.
B) Venders serialized 0001-6385 and higher, open the door and look on the backside of the control panel around the T-handle. Locate the three pilot holes and drill a 9/32" hole through to the front of the vender using these pilot holes.
7. Open the lock cover and place in position.
8. A) On 2-point lock, secure the lock cover in position with the keps nuts provided in the kit.
B) On 1-point lock, secure the lock cover in position with keps nuts provided in the kit.
9. Ensure the T-handle "pops out" freely. If it does not, loosen the keps nuts and adjust the lockcover.
10. Be sure to clean all metal filings from the vender after drilling.
11. Plug in the vender and test for proper operation.



**DRILL TEMPLATE
DP V-4 LOCKCOVER
A 11370.05**

Notes:

1. Cut out the inside rectangle and align with the T-handle.
2. Drill three 9/32" holes in the locations shown.

DNCB COKE MARKETING MACHINE

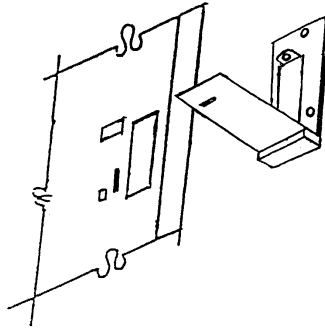


Figure 18

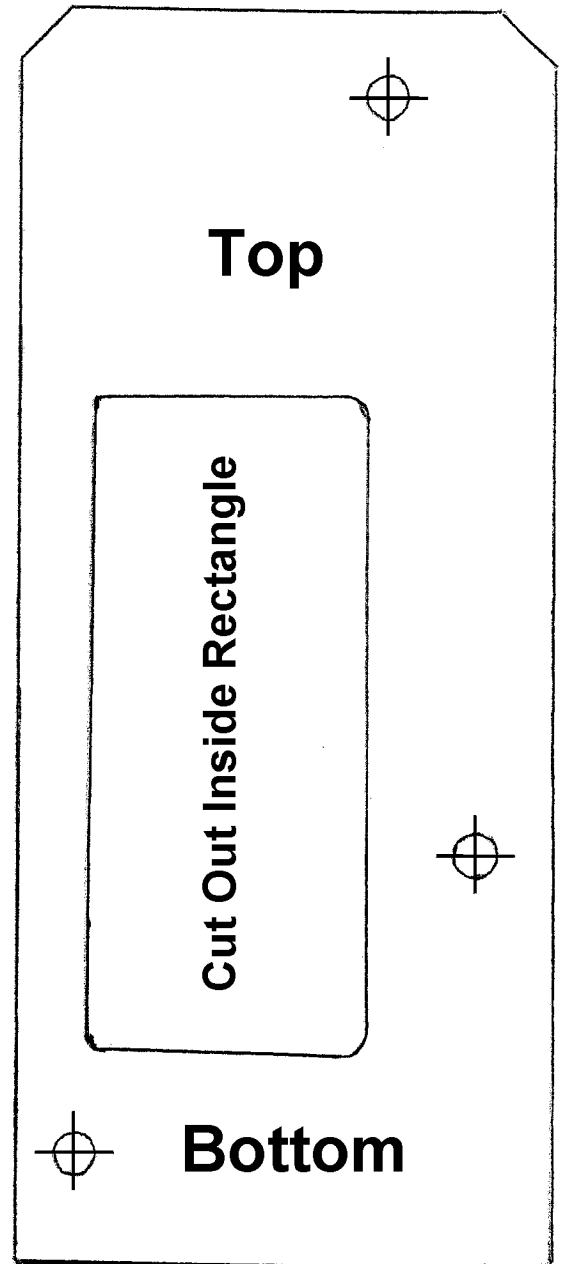
| | | |
|--------|--------------------|---------------------------------------|
| Order: | 1 - 624,010,00X.X4 | Coke Marketing Machine Lock Cover Kit |
| Order: | 1 - 624,054,40x.x3 | Coke Marketing Machine Lock Cover W/A |
| | 3 - 900,800,67x.x1 | Keys Nut 1/4-20 |
| | 1 - M022.x | Installation Instructions |

Installation Instructions:

1. Unplug the vender.
2.
 - A) For venders serialized 0001-6522AX and higher go to step 6b.
 - B) For venders serialized prior to 0001-6522AX use the template on the right to mark the holes that need to be drilled for the lock cover installation.
3. Cut out the inside rectangle on the paper template.
4. Place the paper template over the t-handle.

IMPORTANT: Note the top and bottom of the template as shown in the drawing.

5. With a scribe or similarly pointed object, mark the center of the three holes to be drilled.
6.
 - A) Drill a $\frac{9}{32}$ " hole on the three locations marked in step 5. Be careful not to damage any wires when drilling.
 - B) For venders serialized 0001-6522AX and higher, open the door and look on the backside of the control panel around the t-handle. Locate the two pilot holes and drill a $\frac{9}{32}$ " hole through to the front of the vender using these pilot holes. Then place the paper template in place and mark the 3rd hole to be drilled. Then drill the hole.
 - C) For venders serialized xxxx-xxxx and higher, open the door and look on the backside of the control panel around the t-handle. Locate the three pilot holes and drill a $\frac{9}{32}$ " hole through the front of the vender using these pilot holes.
7. Open the lock cover and place it in position.
8. Secure the lock cover in position with the keys nuts that are provided in the kit.
9. Ensure the t-handle "pops out" freely. If it does not "pop out" freely, loosen the keys nuts and adjust the lock cover.
10. After drilling, make sure all metal filings are cleaned from the vender.
11. Plug in the vender and test for proper operation.



Notes

1. Cut out the inside rectangle and align it with the t-handle.
2. Drill three $\frac{9}{32}$ " holes in the locations shown.